



## ABOUTUS

Affinity Solutions has been providing engineered manufacturing solutions for a broad base of customers since it was established in Sioux Falls over a decade ago. We focus on assembly and testing applications with in house capabilities of mechanical design, controls design, PC and PLC programming and machine vision integration. Affinity Solutions has an experienced staff of mechanical and electrical engineers and technicians to make sure every project is given the expertise and detail required to make them a success.

## MISSIONSTATEMENT

To be a world class source for manufacturing process solutions and a resource where employees are encouraged to push the technical envelope.

## OURCUSTOMERS

We strive to create a great outcome for our customers by gaining a full understanding of their manufacturing strategy and developing a solution that is custom engineering to their manufacturing needs. We work to be proactive with our customers by developing solutions through understanding the current and future needs of their products and processes. Our goal is to build a relationship of value and trust with customers who are benchmarks in their respective industries.

## COMPANYHISTORY

Affinity Solutions beginnings are rooted in west Michigan and the automotive industry. In 1999 Affinity Solutions was established in Sioux Falls in an effort to provide a local source for engineered manufacturing solutions. Since then Affinity has been providing custom manufacturing equipment as well as engineering consulting services for a variety customers.

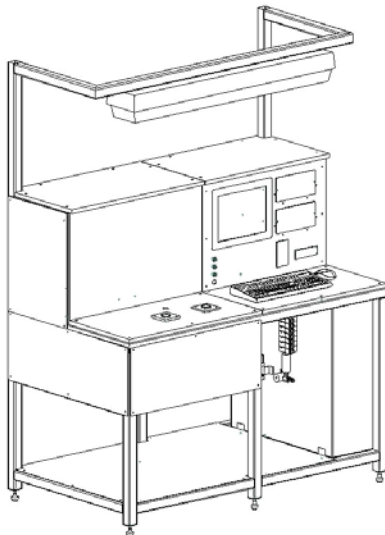
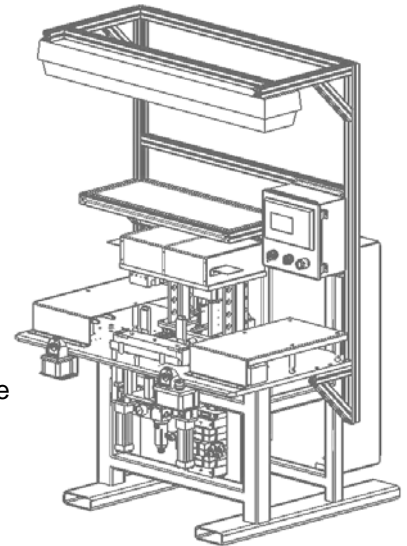
On the following sheet you will find a list of services and products we are able to provide. We are always interested in unique or challenging projects, so please contact us to discuss how Affinity Solutions can help provide a solution for your specific project or application.



**AFFINITYSOLUTIONS**  
AUTOMATION CONCEPTS, DESIGN & INTEGRATION

## Products

- Agronix™ Material Metering and Mixing Systems
- Ergonomic Workstations and Accessories
- Automated and Semi-Automated Assembly Equipment
- Manual Assembly Stations
- Process Fixtures
  - Part Presentation
  - Product Specific Tooling
- Process Systems
  - Automated and Semi-Auto Process Equipment
  - Process Monitoring
    - Temperature, Pressure, Load, Position, Speed, Noise
  - Bar Code with data logging
  - Part Quality Gauging
  - Life Cycle Testing with data logging



- Leak Testing Systems
  - Pressure Decay Testing
  - Mass Flow Testing
  - Leak Test Fixtures
  - Complete Leak Testing Stations
- Inspection and Vision Systems / Equipment
  - Part Measurement
  - Part Features
  - Defect Detection
  - Part Presence
  - Color Detection / Verification
- Electrical Testing Equipment
  - Current and Voltage Detection
  - Circuit Testing and Feedback
  - Product / Part Burn In

## Services

- Mechanical Engineering Design Services
- Electrical Engineering Design Services
- Contract Engineering Services
- Manufacturing Consulting
- Custom Controls Design
- PLC/HMI/PC Programming
- Vision System Integration and Programming
- Robot Integration and Programming
- Troubleshooting & Diagnostics
  - Vision
  - Control Systems
  - Electrical
  - Pneumatics
  - Hydraulics

